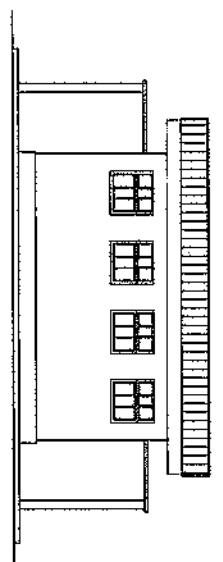
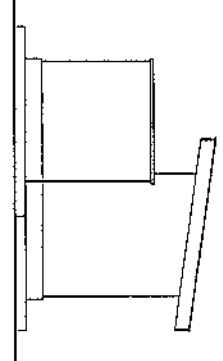


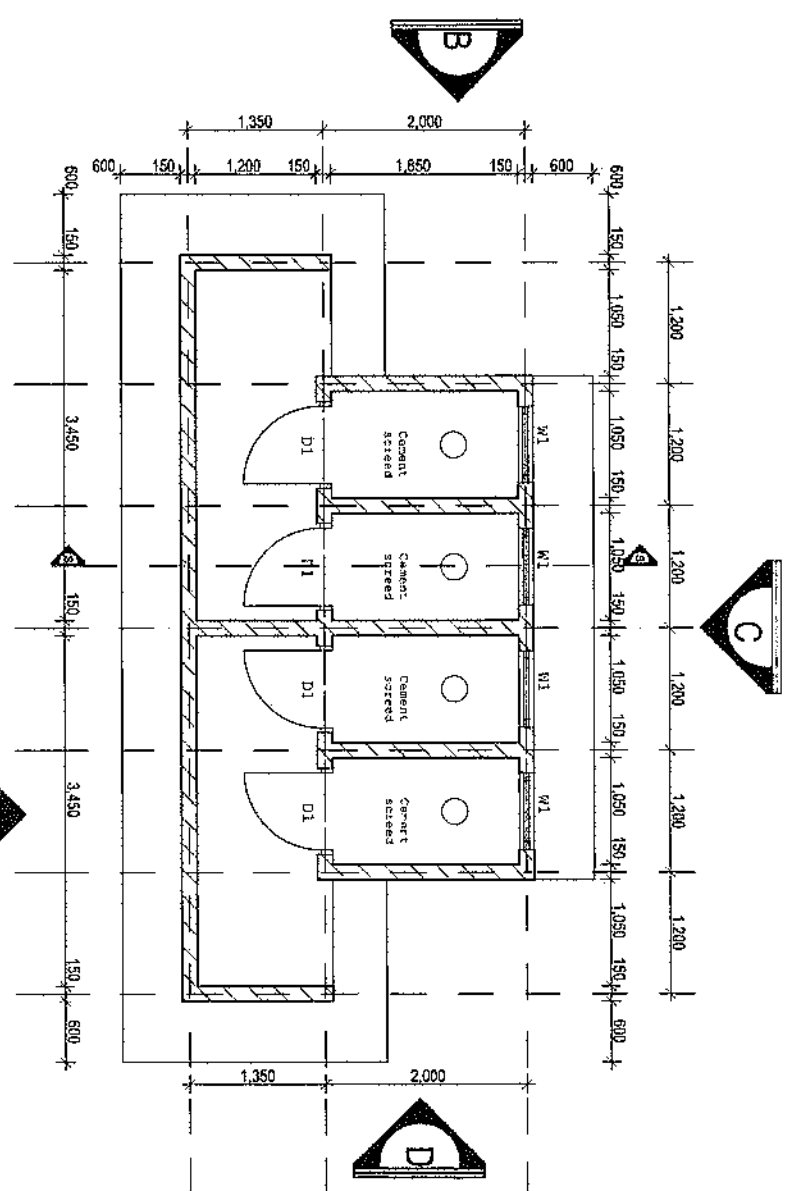
ELEVATION - A



ELEVATION - C



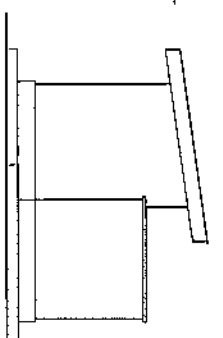
ELEVATION - D



GROUND FLOOR PLAN



ELEVATION - B

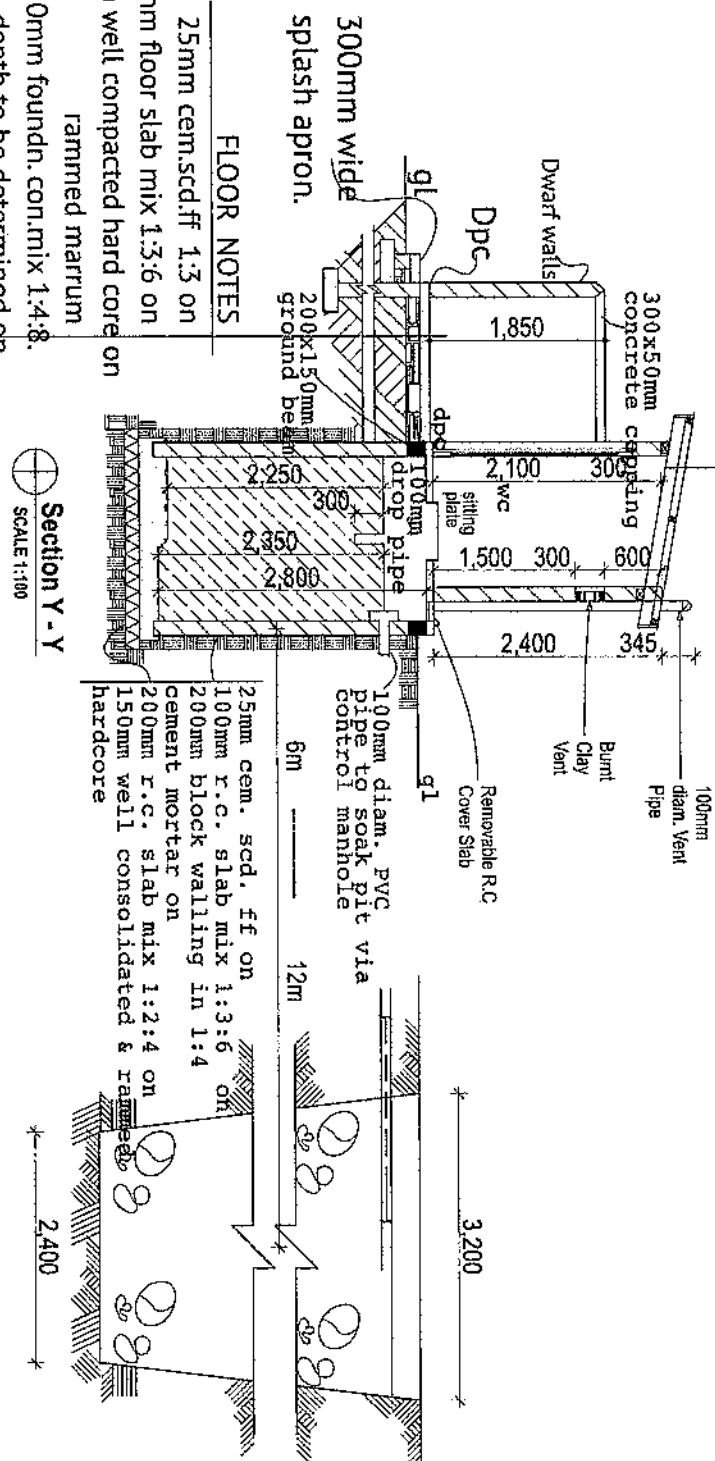


REVISION / NOTES	
ARCHITECTURAL NOTES	
PROJECT NAME	4-STANCE TOILET
LOCATION	
DESCRIPTION	PLAN & ELEVATIONS
Designed/Checked by	
Drawn by	
Approved by:	
Dwg. No.	
Sheet No.	
Scale:	
Date:	

ROOF NOTES

Pitch at 10°
 28 Gauge Prepainted Iron Sheets on
 75x50mm Purlins on
 100x50mm Rafterls on
 100x75mm Wall Plates
 225x50mm Fascia Boards

DOOR & WINDOW SCHEDULE			
Mark	Size	REMARKS	Number Required
W 1		STEEL CASEMENT GLAZED WINDOW/ TOP HING OPENING OUT WITH PERMANENT VENT ABOVE.	04
D 1		Framed ledged timber Door	4



Section Y - Y
 SCALE 1:100

Soak Pit
 SCALE 1:100

450x150mm foundn. con.mix 1:4:8.
 Foundn. depth to be determined on site.

FLOOR NOTES

25mm ccm.scd.ff 1:3 on
 100mm floor slab mix 1:3:6 on
 100mm well compacted hard core on
 rammed marrum

REVISION / NOTES	
ARCHITECTURAL NOTES	
PROJECT NAME	4-STANCE TOILET
LOCATION	
DESCRIPTION	SECTIONS, AND DOOR & WINDOW SCHEDULES
Designed/Checked by	
Drawn by	
Approved by:	
Dwg. No.	
Sheet No.	
Scale:	
Date:	